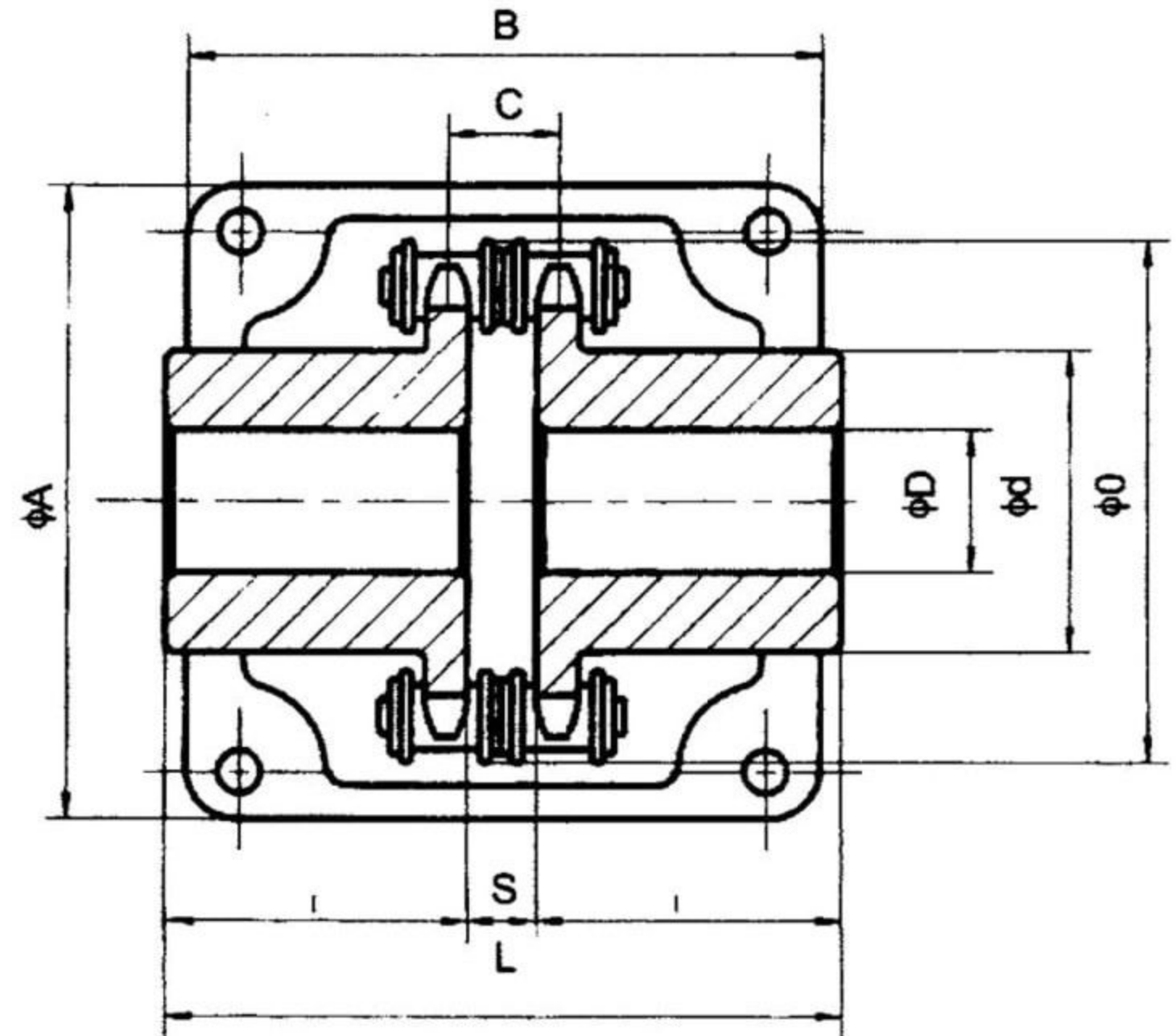


Inch and Metric Chain Couplings



Part No.	Chain Type	Bore D		Sprocket Dimension						Rated Torque GD ² x 10 ⁻³ (kgf•m ²)	Weight kg	Cover Dimensions		Rated Torque GD ² x 10 ⁻³ (kgf•m ²)	Weight kg
		Min.	Max.	L	I	S	d	O	C			A	B		
CC-3012	O6B-2 x 12	12	16	64.8	29.8	5.2	35	45	10.2	0.233	0.4	69	63	0.88	0.3
CC-4012	40-2 x 12	12	22	79.4	36	7.4	35	62	14.4	1.020	0.8	77	72	1.03	0.3
CC-4014	40-2 x 14	12	28	79.4	36	7.4	43	69	14.4	1.924	1.1	84	75	1.42	0.4
CC-4016	40-2 x 16	14	32	87.4	40	7.4	50	77	14.4	3.285	1.4	92	72	2.41	0.4
CC-5014	50-2 x 14	15	35	99.7	45	9.7	55	86	18.1	6.01	2.2	101	85	3.63	0.5
CC-5016	50-2 x 16	16	40	99.7	45	9.7	62	93	18.1	9.72	2.7	110	87	4.81	0.6
CC-5018	50-2 x 18	16	45	99.7	45	9.7	70	106	18.1	15.42	3.8	122	85	6.97	0.8
CC-6018	60-2 x 18	20	56	123.5	56	11.5	85	127	22.8	40.21	6.2	147	105	16.84	1.2
CC-6020	60-2 x 20	20	60	123.5	56	11.5	100	139	22.8	62.87	7.8	158	105	21.27	1.6
CC-6022	60-2 x 22	20	71	123.5	56	11.5	110	151	22.8	93.45	10.4	168	117	28.97	1.8
CC-8018	80-2 x 18	20	80	141.2	63	15.2	110	169	29.3	142.03	12.7	190	129	52.13	2.5
CC-8020	80-2 x 20	20	90	145.2	65	15.2	120	185	29.3	204.90	16.0	210	137	82.39	2.9
CC-8022	80-2 x 22	20	100	157.2	71	15.2	140	202	29.3	341.17	20.2	226	137	104.07	3.6
CC-10020	100-2 x 20	25	110	178.8	80	18.8	162	233	35.8	646.29	33.0	281	153	233.87	4.6
CC-12018	120-2 x 18	35	125	202.7	90	22.7	170	256	45.4	1,075.71	47.0	307	181	460.74	6.2
CC-12022	120-2 x 22	35	140	222.7	100	22.7	210	304	45.4	2,454.50	72.0	357	181	803.00	8.0

Chain coupling is composed of a duplex roller chain and two sprockets. The connection is made by the joining of the chain. An aluminum cover is included to prevent dust and to protect the lubricant.